



## Peelers Vegetable Peeler, 15 kg - Abrasive Plate & Cylinder

ITEM # \_\_\_\_\_

MODEL # \_\_\_\_\_

NAME # \_\_\_\_\_

SIS # \_\_\_\_\_

AIA # \_\_\_\_\_



**603515 (DT15E1C)**

15 kg vegetable peeler.  
Abrasive plate and  
abrasive cylinder

**603516 (DT15E324C)**

15 kg vegetable peeler.  
Abrasive plate and  
abrasive cylinder

### Short Form Specification

Item No. \_\_\_\_\_

Constructed in stainless steel with a transparent lid in special high resistant plastic. The removable rotating plate is covered with a removable rotating plate covered in very resistant abrasive material (silicon carbide). Flat and waterproof (IP55) control panel with programmable timer and low voltage level. An interlocking safety magnetic devices will stop the machine from operating when the lid or unloading door is opened. Removable water jet device is fitted as standard to facilitate cleaning.

Supplied with abrasive plate and abrasive cylinder for hard vegetables peeling.

### Main Features

- Transparent lid in damage-resistant plastic material allows visibility during peeling cycle.
- Supplied with: - abrasive plate and cylinder
- Removable rotating plate covered in very resistant abrasive material (silicon carbide).
- Peels are reduced to small pieces to facilitate drainage process.
- Pulse function to control the unloading operation.
- Removable water inlet, clipped to the cover, designed to serve as a spray to clean the machine.
- Timer with countdown display.
- Magnetic detectors will stop the machine from operating when the lid and/or door are opened.
- Suitable for 80-300 meals per service.

### Construction

- Complete stainless steel construction.
- IP55 waterproof touch button control panel.
- Transparent BPA free cover incorporates a magnetic safety system which stops the machine if lid is not properly closed.

### Included Accessories

- 1 of Abrasive plate for T10 or PNC 653203 T15

### Optional Accessories

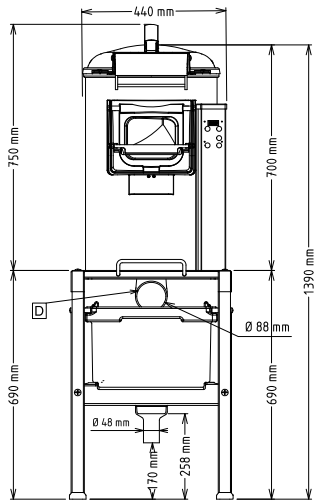
- Abrasive plate for T10 or T15 PNC 653203
- Drying basket for T15 PNC 653209
- Filter table with sliding shelf, pre-assembled PNC 653783
- Filter table with sliding shelf PNC 653784

APPROVAL: \_\_\_\_\_

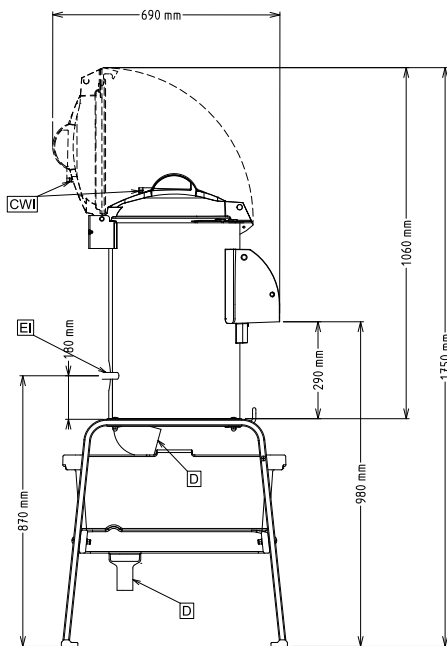


# Peelers Vegetable Peeler, 15 kg - Abrasive Plate & Cylinder

Front

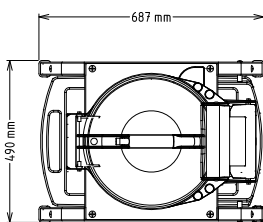


Side



- CWI** = Cold Water inlet 1 (cleaning)
- D** = Drain
- EI** = Electrical inlet (power)

Top



Electric

**Supply voltage:**

**603515 (DT15E1C)**

220-240 V/1N ph/50/60 Hz

**603516 (DT15E324C)**

200-240/380-440 V/3 ph/50/60 Hz

**Electrical power, max:**

0.37 kW

**Total Watts:**

0.37 kW

**Capacity:**

**Performance (up to):**

240 kg/Cycle

**Capacity:**

15 litres

**Key Information:**

**External dimensions, Width:**

440 mm

**External dimensions, Depth:**

690 mm

**External dimensions, Height:**

750 mm

**Shipping weight:**

**603515 (DT15E1C)**

51 kg

**603516 (DT15E324C)**

48 kg



Peelers  
Vegetable Peeler, 15 kg - Abrasive Plate & Cylinder  
The company reserves the right to make modifications to the products without prior notice. All information correct at time of printing.

2026.04.21